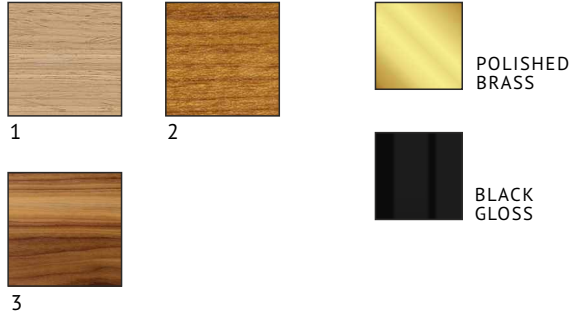
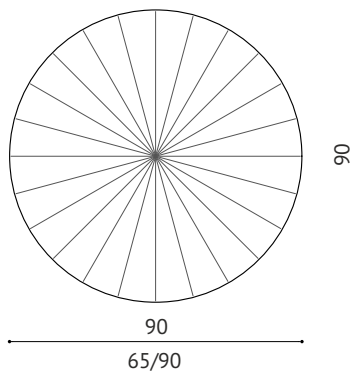


# MRS ROBINSON I

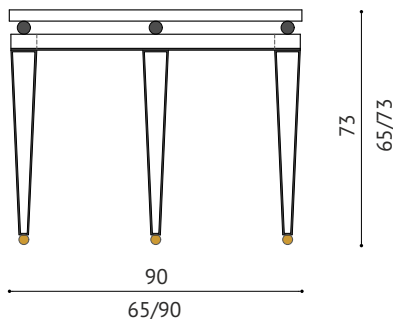
## TABLE



### TOP VIEW



### FRONT VIEW



### DESCRIPTION:

MRS ROBINSON I table has been made of high-quality fibreboard veneered with straight-grain oak. The table legs are ornamented with black-colored oak. Decorative balls are lacquered in high-gloss black and the legs are finished with polished brass balls.

The table is designed to make it look solid and light at the same time. Intricate, decorative veneering and the use of ornamental balls under the table top make its classic form look more delicate and more modern. Smaller diameters are perfectly suitable for a central place in a representative hall, bigger diameters will be perfect for a central table in a dining room.

### AVAILABLE VENEERS:

- 1 - straight-grain oak (as in the picture)
- 2 - teak
- 3 - american walnut

### AVAILABLE FINISHES:

- satin lacquer/ semi-matt

### AVAILABLE SIZES:

- height/diameter 65cm, 65cm
- height/diameter 73cm, 90cm

### SIZES AVAILABLE ON ORDER:

- height/diameter 65cm, 70cm
- height/diameter 65cm, 90cm
- height/diameter 73cm, 70cm
- height/diameter 73cm, 100cm
- height/diameter 73cm, 120cm

*\*Data contained on the website is solely for commercial information and does not constitute the offer in accordance with art. 66, paragraph 1 of the Civil Code. We encourage You to contact us in regard to individual price evaluations.*