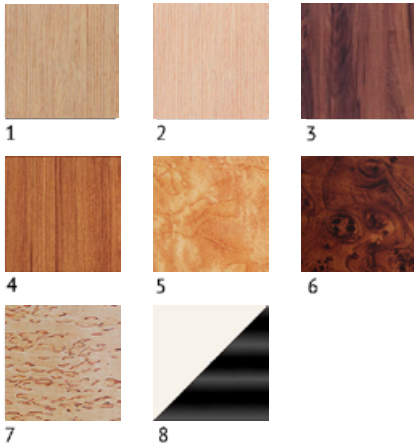
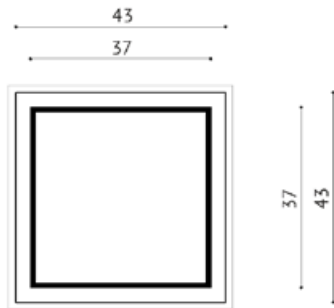


# WASHINGTON II BABY

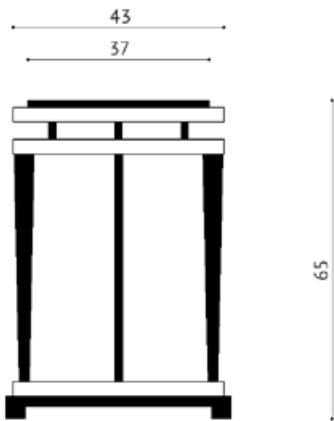
## SIDE TABLE



### TOP VIEW



### SIDE VIEW



### DESCRIPTION:

The WASHINGTON II BABY table made of a combination of a high grade MDF and solid wood is available in several elegant veneers or in double colored varnish.

Due to its light form and small size, this extremely elegant piece will work perfectly as a side table for an armchair or a sofa. A lamp or other decorative objects may be placed on it. The item works as a standalone piece or in combination with the Washington II table.

### AVAILABLE VENEERS AND VARNISHES:

- 1 - natural straight-grained oak (as shown in the photograph)
- 2 - brightened straight-grained oak
- 3 - American or European walnut
- 4 - teak
- 5 - oak burr
- 6 - walnut burr
- 7 - Curly birch burr
- 8 - cream/ black varnish

### AVAILABLE FINISHES:

- satin/ semi-matte varnish
- black gloss varnish/ French polish

### AVAILABLE SIZES:

- L/D/H 43cm, 43cm, 65cm

\* Please specify your desired dimensions, and our process engineer will confirm if we are able to custom fabricate it for you.

*\*Any data presented on the page shall be solely construed as commercial information and do not constitute an offer within the meaning of Article 66, paragraph 1 of the Civil Code. Please contact us in person for an individual appraisal.*

# WASHINGTON II BABY

---



natural straight-grained oak



American or European walnut



Teak



oak burr



walnut burr



Curly birch burr



cream/ black varnish