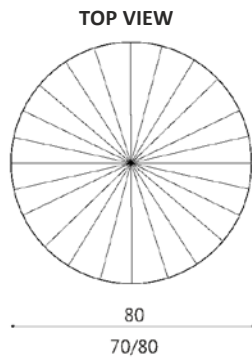
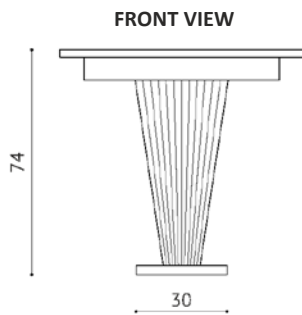
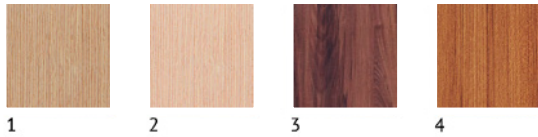


NEW YORK II

TABLE



DESCRIPTION:

The NEW YORK II table is made of high quality MDF veneered with straight-grained oak finished with satin varnish.

A solid, central leg made of solid oak wood. With its ornamental grooving and precise, decorative veneer placement, this furniture item is a showpiece. An ideal solution for the hallway and the dining room.

AVAILABLE VENEERS:

- 1 - natural straight-grained oak (as shown in the photograph)
- 2 - brightened straight-grained oak
- 3 - American or European walnut
- 4 - teak

AVAILABLE FINISHES:

- satin/ semi-matte varnish
- high gloss varnish/ French polish

AVAILABLE SIZES:

- H/Diam. 74cm, 70cm
- H/Diam. 74cm, 80cm

* Please specify your desired dimensions, and our process engineer will confirm if we are able to custom fabricate it for you.

**Any data presented on the page shall be solely construed as commercial information and do not constitute an offer within the meaning of Article 66, paragraph 1 of the Civil Code. Please contact us in person for an individual appraisal.*

NEW YORK II



natural straight-grained oak



American or European walnut



Teak