

BOB FOSSE COFFE TABLE

COFFEE TABLE / POUF



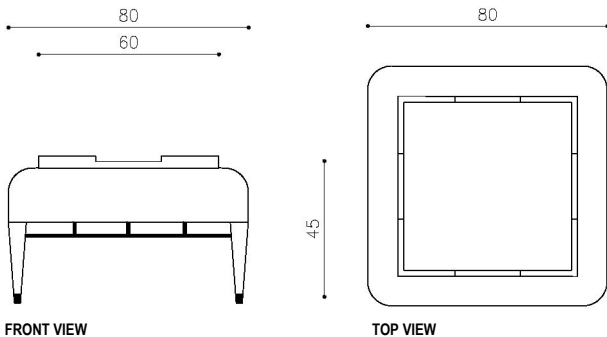
BOB FOSSE COFFE TABLE



1 2 3



4 5



DESCRIPTION:

The pouf consists of an upholstered seat made of any fabric, and four veneered legs with brass appliques. The decorative brass element on its circumference is made of satin brass.

The tray, which is veneered just like the legs, turns the pouf into a table.

This design will serve as an interesting addition to both extravagant and minimal interiors. For a minimal interior, the pouf can go without the ornamental rim.

AVAILABLE VENEERS:

- 1-natural straight-grained oak (as illustrated)
- 2-American or European walnut
- 3-teak
- 4-oak burr
- 5-walnut burr

AVAILABLE SIZES:

LxDxH80cm, 80cm, 45cm+ tray 60cm, 60cm, 4cm

**Please provide the desired furniture size, and, within a few days, our design engineer will confirm with you if it can be manufactured*

**The data provided on this page is for commercial reference only, and should not be construed as an offer within the meaning of Article 66 item 1 of the Civil Code. Please contact us for an individual appraisal.*